

030

底部法蘭油壓轉角缸

030 HYDRAULIC SWING CLAMP



產品特性

無需預留孔：直接用螺栓將轉角缸固定到工作檯面，缸體的主結構在工作檯面上，可夾緊較厚的工件，允許超大件的夾持。
 複動式特點：夾緊與鬆卸全靠油路來控制，按照換向閥的方向交替來控制轉角缸的夾緊和鬆卸行程，壓臂形狀與單動缸相同。
 單動式特點：內部系統化比較簡單，沒有卸載系統，卸載時靠彈簧回力完成鬆卸行程；外部管路的閥門及附件較少，使配套系統比較簡單。創新的壓臂設計能滿足多種場合。
 缸體材質合用碳鋼，經滲碳氮化處理，表面硬度高，缸體內面硬度高耐磨損。

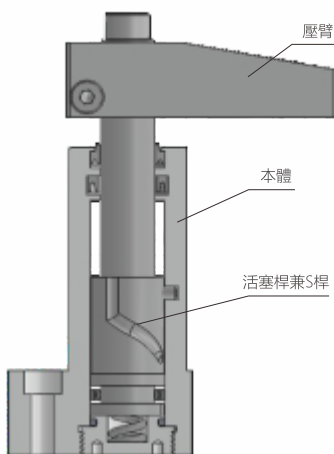
最大操作壓力：250 kgf/cm²
 最小操作壓力：70 kgf/cm²
 作動方式：單動和複動式

FEATURES

It is not necessary to manufacture a hole for the installing and you just need to use bolt to fix the swing clamp on the fixture plate. It is helpful for you to clamp thick workpiece because the main structure of the cylinder body is on the fixture plate.
 Feature of the doubling acting type: Oil circuits control clamping and unclamping, you can control the clamping and unclamping by changing the direction value.
 Feature of the single acting type: The design of the interior system is simple. It is not necessary to design for unclamping. It can return back to the original position by spring and the system design is simple because of few accessories.
 The material of the cylinder body is carbon steel and treated by nicarbing. The hardness of the outside and inside surface of the cylinder is high and the cylinder is anti-abrasive.

Max. operating pressure: 250 kgf/cm²
 Min. operating pressure: 70 kgf/cm²
 Single acting and double acting

剖面圖 Sectional view (單動式)



注意事項

夾緊及放鬆作動速度需適當放緩。
 特殊壓臂長度及重量不得超過標準壓臂的1.5倍。
 壓臂旋轉示意圖及安裝拆卸方式，請參見第4頁。

NOTE

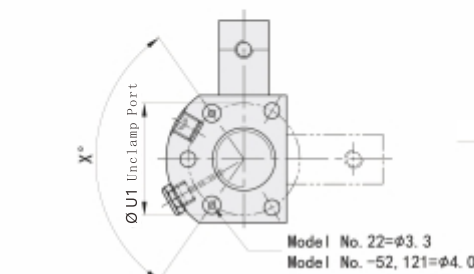
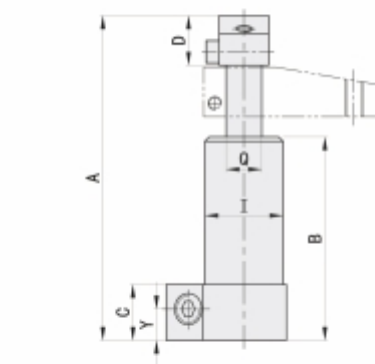
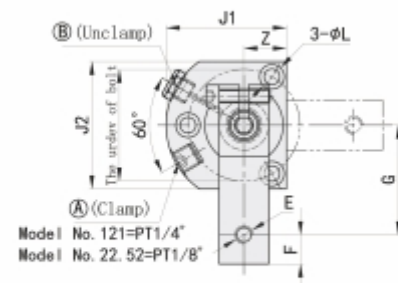
The action and the speed of clamping / unclamping needs to be slowed down appropriately.
 The length and weight of the customized clamping arm shall not exceed 1.5 times of the standard clamping arm.
 Please refer to page 4 for the rotation diagram, installation instructions and removal methods of the clamping arm.

訂購標示法 ORDERING INDICATION

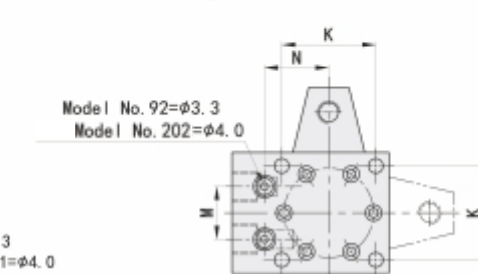
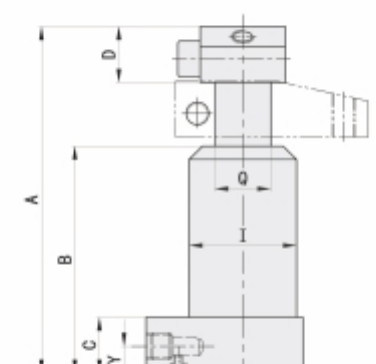
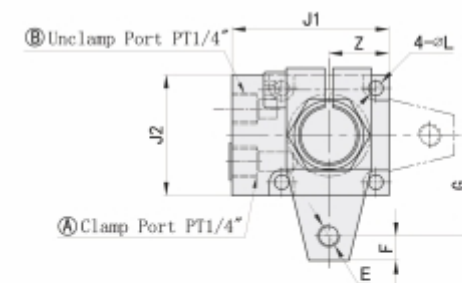
示例: 030-LD92-90

030	系列 Series	030
L	轉角方向 Swing direction	右轉R或左轉L Turn right R or turn left L
D	作動方式 Acting type	S:單動式 S:Single acting D:複動式 D:Double acting
92	型號 Type	22, 52, 92, 121, 202
90	轉角角度 Swing angle	標準角度 Standard angle 90°(±2°) 訂做角度 Order angle 30°(±2°), 45°(±2°), 60°(±2°)

030-22/52/121



030-92/202



Unit:mm

MODEL ITEM	030-22	030-52	030-92	030-121	030-202
ST:Swing /Clamp	16.5:8.5 /8	22.6:12.6 /10	22.1:10.1 /12	28.4:15.4 /13	27.9:13.9 /14
A鬆開狀態 Unclamping	118	145.2	155	171	175
B	78	91	101.5	110.9	110
C	25	25	25	25	25
D	16	22	25	30	32
E	M6	M8	M10	M10	M12
F	6	13	11	12	15
G	40	49	45	51	55
I	Φ28	Φ35	Φ48	Φ48	Φ63
J1	47.2	54.1	70.1	66.8	85.1
J2	45	57	54	73	70
K	-	-	42	-	55
L	Φ5.5-Φ9 x6.5D	Φ7-Φ11 x7D	Φ6.8-Φ11 x7D	Φ8.5-Φ14 x9D	Φ8.5-Φ14 x9D
M	-	-	23.6	32	29
N	-	-	28.7	-	35.1
Z	15.5	19.1	26.9	25.4	35.1
U1	Φ40	Φ50	-	Φ64	-
X	60°	110°	-	110°	-
Y	14	14	12	16	12
Q	Φ10	Φ16	Φ25	Φ22	Φ32

規格參數表 SPECIFICATIONS

型號	理論夾持力(250 kgf/cm ²) CLAMPING FORCE AT 250kgf/cm ² (kgf)	轉角行程	夾緊行程	總行程	拉入容積	推出容積	拉入受壓面積	推出受壓面積	使用溫度範圍	
MODEL	單動系列 Single acting	複動系列 Double acting	SWING STROKE (mm)	CLAMPING STROKE (mm)	TOTAL STROKE(mm)	CYLINDER CAPACITY CLAMP(cm ³)	CYLINDER CAPACITY UNCLAMP(cm ³)	EFFPISTON AREA CLAMP(cm ²)	EFFPISTON AREA UNCLAMP(cm ²)	RANGE OF TEMPERATURE(°C)
030-22	173	180	8.5	8	16.5	1.24	2.52	0.75	1.53	-10~+70°C
030-52	380	445	12.6	10	22.6	4.05	8.57	1.79	3.79	-10~+70°C
030-92	710	780	10.1	12	22.1	6.92	17.75	3.13	8.03	-10~+70°C
030-121	970	1060	15.4	13	28.4	12.04	22.81	4.24	8.03	-10~+70°C
030-202	1830	1960	13.9	14	27.9	21.93	44.33	7.86	15.89	-10~+70°C