

# CBTU

## 方塊形油壓轉角缸

## CBTU HYDRAULIC SWING CLAMP



### 產品特性

此系列產品配件採用優化設計，使體積更加緊湊，提高了產品強度。產品採用了專用防塵設計，提高了防塵和密封性，實現了高密封性。產品結構設計具有高抗扭矩性，實現了高耐久性。

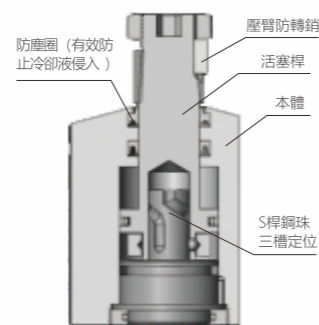
最大操作壓力：70 kgf/cm<sup>2</sup>  
 最小操作壓力：15 kgf/cm<sup>2</sup>  
 作動方式：複動式

### FEATURES

The accessories of the CBTU series are optimally designed to create a more compact-sized product with enhanced strength. With its special dust-proof design, this product has improved its sealing performance and protects against any particles or debris while in use. The product's structure design has a high torsion resistance that achieves maximum durability.

Max. operating pressure : 70 kgf/cm<sup>2</sup>  
 Min. operating pressure : 15 kgf/cm<sup>2</sup>  
 Double acting

### 剖面圖 Sectional view



### 注意事項

夾緊及放鬆作動速度需適當放緩。  
 壓臂安裝拆卸方式，請參見第4頁。  
 可接受訂製，歡迎與本公司洽詢。

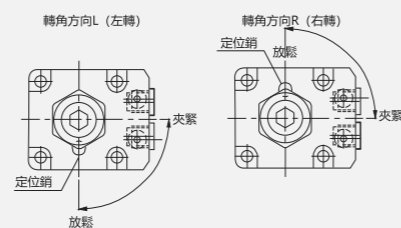
### NOTE

The action and the speed of clamping / unclamping needs to be slowed down appropriately.  
 Please refer to Page 4 for installation instructions or removal methods of the clamping arm.  
 Customization is available upon request, please contact us for more info.

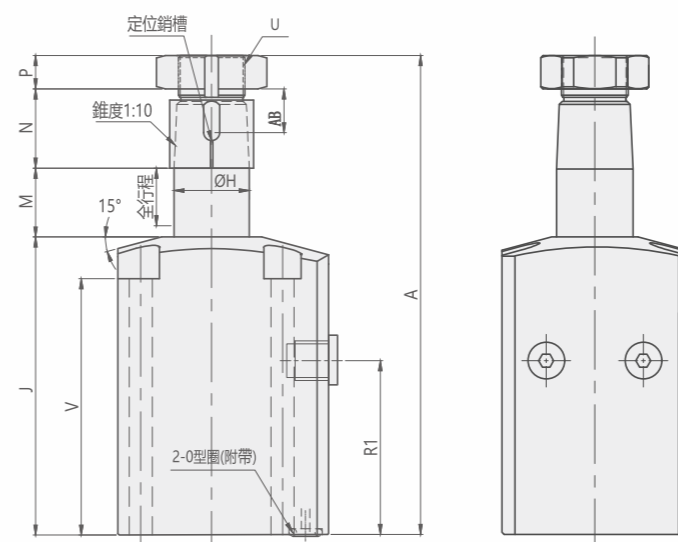
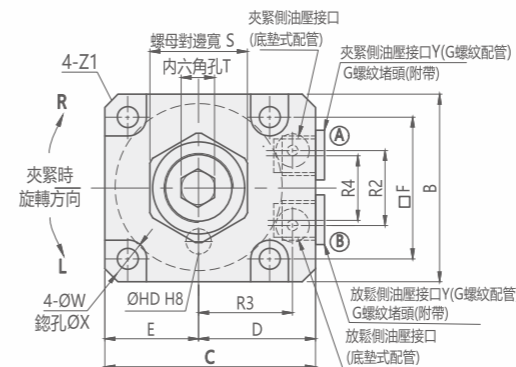
### 訂購標示法 ORDERING INDICATION

#### 示例: CBTU-02L-90

CBTU	系列 Series	CBTU
02	02/04/06/10/16/25	
L	轉角方向 Swing direction	L: 左 R: 右 L: Left R: Right
90	轉角角度Swing angle	標準角度 Standard angle 90°(±2°) 可訂做角度 Order angle 0°, 30°(±2°), 45°(±2°), 60°(±2°)



備註：選配調速閥為CZL系列



Ⓐ 夾持油孔 Clamping port  
 Ⓑ 放鬆油孔 Unclamping port

MODEL ITEM	CBTU-02	CBTU-04	CBTU-06	CBTU-10	CBTU-16	CBTU-25
A	131	148.5	158.5	178.5	201.5	244
B	45	50	57	70	86	108
C	55	60	66	82	96	120
D	32.5	35	37.5	47	53	66
E	22.5	25	28.5	35	43	54
F	35	40	46	56	68	88
H	18	22.4	25	30	35.5	45
J	81.5	90.5	97.5	111.5	123	147
M	21.5	24	27	30	31.5	39
N(夾緊臂厚度)	20	25	25	27	35	45
P(螺母厚度)	8	9	9	10	12	13
R1	52.5	57	60	70	76	92
R2	22	24	28	36	45	50
R3	25	28	30.5	36	42	57
R4	20	22	26	30	38	50
S(螺母對邊寬)	22	27	30	36	46	55
T(內六角孔)	6	6	8	8	10	14
U(推薦緊固扭矩)	M14× 1.5(26N·m)	M18× 1.5(51N·m)	M20× 1.5(60N·m)	M24× 1.5(86N·m)	M30× 1.5(120N·m)	M39× 1.5(180N·m)
V	71	80	85	95	102.5	121.5
W	5.5	5.5	6.8	9	11	14
X	9.5	9.5	11	14	17.5	20
Y	G1/8	G1/8	G1/8	G1/4	G1/4	G3/8
O型圈O-Ring	P7	P7	P7	P8	P8	P10
AB	10.5	10.5	10.5	12.5	12.5	14.5
Z1	C3	C3	C3	C4	C6	C6.5
HD	4 <sup>+0.018</sup> <sub>0</sub>	4 <sup>+0.018</sup> <sub>0</sub>	5 <sup>+0.018</sup> <sub>0</sub>	6 <sup>+0.018</sup> <sub>0</sub>	6 <sup>+0.018</sup> <sub>0</sub>	6 <sup>+0.018</sup> <sub>0</sub>
定位銷	Φ4(h8)×10	Φ4(h8)×10	Φ5(h8)×10	Φ6(h8)×12	Φ6(h8)×12	Φ6(h8)×14

### 規格參數表 SPECIFICATIONS

型號	理論夾持力 (70 kgf/cm <sup>2</sup> )	轉角行程	夾緊行程	總行程	推出容積	拉入容積	推出受壓面積	拉入受壓面積	使用溫度範圍	使用液體
MODEL	CLAMPING FORCE AT 70 kgf/cm <sup>2</sup> (kgf)	SWING STROKE (mm)	CLAMPING STROKE (mm)	TOTAL STROKE(mm)	CYLINDER CAPACITY UNCLAMP(cm <sup>3</sup> )	CYLINDER CAPACITY CLAMP(cm <sup>3</sup> )	EFFEPISTON AREA UNCLAMP(cm <sup>2</sup> )	EFFEPISTON AREA CLAMP(cm <sup>2</sup> )	RANGE OF TEMPERATURE(°C)	USABLE FLUID
CBTU-02	284.2	10	8	18	11.9	7.4	6.6	4.06	0~+70°C	相當於 ISO 黏度等級的 ISO-VG-32 一般液壓油 Recommended: ISO-VG-32 hydraulic oil equivalent to ISO viscosity grade
CBTU-04	434	12.5	8	20.5	20.9	12.7	10.2	6.2	0~+70°C	
CBTU-06	721	13.5	10	23.5	35.7	24.2	15.2	10.3	0~+70°C	
CBTU-10	880	16.5	10	26.5	52	33.3	19.63	12.57	0~+70°C	
CBTU-16	1631	18.5	10	28.5	94.6	66.4	33.17	23.3	0~+70°C	
CBTU-25	2583	23	13	36	190.1	132.9	52.78	36.9	0~+70°C	