

# CHA-P

## 油壓轉角缸

### CHA-P HYDRAULIC SWING CLAMP



#### 產品特性

此系列產品配件採用優化設計，使體積更加緊湊，提高了產品強度。產品採用了專用防塵設計，提高了防塵和密封性，實現了高密封性。產品結構設計具有高抗扭矩性，實現了高耐久性。

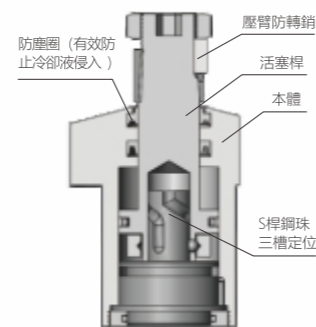
最大操作壓力：70 kgf/cm<sup>2</sup>  
 最小操作壓力：15 kgf/cm<sup>2</sup>  
 作動方式：複動式

#### FEATURES

The accessories of the CHA-P series are optimally designed to create a more compact-sized product with enhanced strength. With its special dust-proof design, this product has improved its sealing performance and protects against any particles or debris while in use. The product's structure design has a high torsion resistance that achieves maximum durability.

Max. operating pressure : 70 kgf/cm<sup>2</sup>  
 Min. operating pressure : 15 kgf/cm<sup>2</sup>  
 Double acting

#### 剖面圖 Sectional view



#### 注意事項

夾緊及放鬆作動速度需適當放緩。壓臂安裝拆卸方式，請參見第4頁。可接受訂製，歡迎與本公司洽詢。

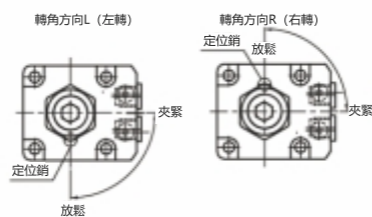
#### NOTE

The action and the speed of clamping / unclamping needs to be slowed down appropriately. Please refer to Page 4 for installation instructions or removal methods of the clamping arm. Customization is available upon request, please contact us for more info.

#### 訂購標示法 ORDERING INDICATION

##### 示例：CHA-040PSL-90

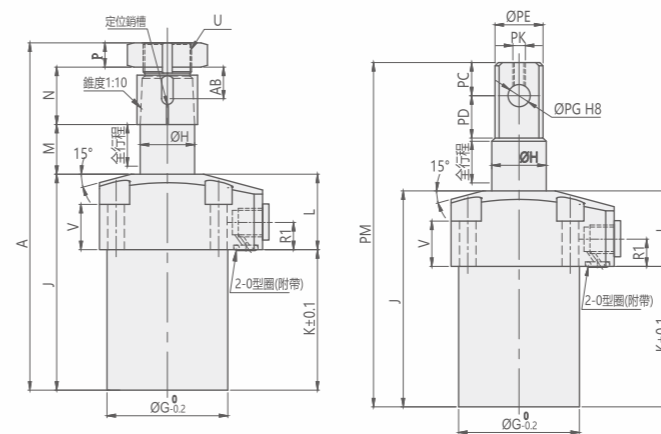
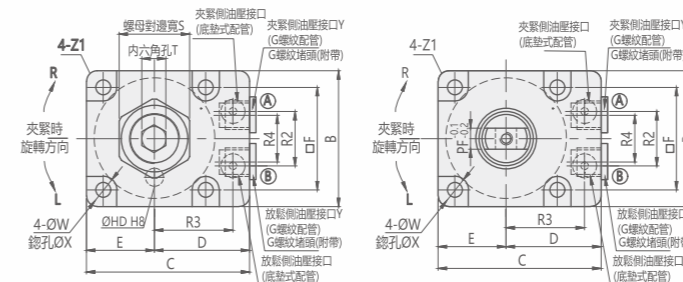
CHA-P	系列 Series	CHA-P
<b>040</b>	036/040/048/055/065/075/105	
<b>S</b>	壓臂型式 Clamping arm type	S: 單邊壓臂 S: Single side arm D: 雙邊壓臂 D: Double side arm
<b>L</b>	轉角方向 Swing direction	L: 左 L: Left R: 右 R: Right
<b>90</b>	轉角角度 Swing angle	標準角度 Standard angle 90° (±2°) 可訂做角度 Order angle 30° (±2°), 45° (±2°), 60° (±2°)



#### SINGLE SIDE SWING CLAMP

#### DOUBLE SIDE SWING CLAMP

註：下圖為轉角90°鬆開狀態



- Ⓐ 夾持油孔 Clamping port
- Ⓑ 放鬆油孔 Unclamping port

MODEL ITEM	CHA-036P	CHA-040P	CHA-048P	CHA-055P	CHA-065P	CHA-075P	CHA-105P
<b>A</b>	117	131	148.5	158.5	178.5	201.5	244
<b>B</b>	38	45	50	57	70	86	108
<b>C</b>	48	55	60	66	82	96	120
<b>PF</b>	8	8	10	12	16	18	22
<b>E</b>	19	22.5	25	28.5	35	43	54
<b>F</b>	30.5	35	40	46	56	68	88
<b>G</b>	35	39	47	53	63	78	100
<b>H</b>	14	18	22.4	25	30	35.5	45
<b>J</b>	77	83	92	99	113	124.5	148.5
<b>K</b>	48.5	54	61	66	77	84	97
<b>L</b>	28.5	29	31	33	36	40.5	51.5
<b>M</b>	17.5	20	22.5	25.5	28.5	30	37.5
<b>N(夾緊臂厚度)</b>	16	20	25	25	27	35	45
<b>P(螺母厚度)</b>	6.5	8	9	9	10	12	13
<b>R1</b>	12.5	12.5	12.5	12.5	14	14	21
<b>R2</b>	18	22	24	28	36	45	50
<b>R3</b>	22.5	25	28	30.5	36	42	57
<b>R4</b>	16.2	20	22	26	30	38	50
<b>S(螺母對邊寬)</b>	19	22	27	30	36	46	55
<b>T(內六角孔U(推薦緊固扭矩))</b>	M12×1.5(12N·m)	M14×1.5(26 N·m)	M18×1.5(51 N·m)	M20×1.5(60 N·m)	M24×1.5(86 N·m)	M30×1.5(120 N·m)	M39×1.5(180 N·m)
<b>V</b>	20	19.5	20	20	19.5	20	26
<b>W</b>	4.3	5.5	5.5	6.8	9	11	14
<b>X</b>	8	9.5	9.5	11	14	17.5	20
<b>Y</b>	G1/8	G1/8	G1/8	G1/8	G1/4	G1/4	G3/8
<b>Z1</b>	R3	R3	R3	R5	R6	R7	R10
<b>PE</b>	12	16	20.4	23	28	33.5	43
<b>PC</b>	8	8	10	12	14	19	24
<b>PD</b>	9	9	11	13	15	20	25
<b>AB</b>	9	10.5	10.5	10.5	12.5	12.5	14.5
<b>O型圈 O-Ring</b>	P7	P7	P7	P7	P8	P8	P10
<b>PK</b>	M3	M3	M4	M5	M6	M6	M8
<b>PG</b>	6 <sup>+0.018</sup> <sub>0</sub>	6 <sup>+0.018</sup> <sub>0</sub>	8 <sup>+0.022</sup> <sub>0</sub>	10 <sup>+0.022</sup> <sub>0</sub>	12 <sup>+0.027</sup> <sub>0</sub>	16 <sup>+0.027</sup> <sub>0</sub>	20 <sup>+0.033</sup> <sub>0</sub>
<b>PM</b>	113	121.5	137	151	172	195	236.5
<b>HD</b>	3+0.0140	4+0.0180	4+0.0180	5+0.0180	6+0.0180	6+0.0180	6+0.0180
<b>定位銷</b>	Φ3(h8)×8	Φ4(h8)×10	Φ4(h8)×10	Φ5(h8)×10	Φ6(h8)×12	Φ6(h8)×12	Φ6(h8)×14

#### 規格參數表 SPECIFICATIONS

型號	理論夾持力 (70 kgf/cm <sup>2</sup> )	轉角行程	夾緊行程	總行程	推出容積	拉入容積	推出受壓面積	拉入受壓面積	使用溫度範圍	使用液體
MODEL	CLAMPING FORCE AT 70 kgf/cm <sup>2</sup> (kgf)	SWING STROKE (mm)	CLAMPING STROKE (mm)	TOTAL STROKE(mm)	CYLINDER CAPACITY UNCLAMP(cm <sup>3</sup> )	CYLINDER CAPACITY CLAMP(cm <sup>3</sup> )	EFF.PISTON AREA UNCLAMP(cm <sup>2</sup> )	EFF.PISTON AREA CLAMP(cm <sup>2</sup> )	RANGE OF TEMPERATURE(°C)	USABLE FLUID
CHA-036P	238	8	8	16	7.9	5.4	4.9	3.4	0~+70°C	相當於 ISO 黏度等級的 ISO-VG-32 液壓油 Recommended: ISO-VG-32 hydraulic oil equivalent to ISO viscosity grade
CHA-040P	284.2	10	8	18	11.9	7.4	6.6	4.06	0~+70°C	
CHA-048P	434	12.5	8	20.5	20.9	12.7	10.2	6.2	0~+70°C	
CHA-055P	721	13.5	10	23.5	35.7	24.2	15.2	10.3	0~+70°C	
CHA-065P	880	16.5	10	26.5	52	33.3	19.63	12.57	0~+70°C	
CHA-075P	1631	18.5	10	28.5	94.6	66.4	33.17	23.3	0~+70°C	
CHA-105P	2583	23	13	36	190.1	132.9	52.78	36.9	0~+70°C	