

# CLKA

## 高動力&紮實型槓桿式油壓缸

## CLKA HYDRAULIC LEVERAGE CLAMP



### 產品特性

此系列產品配件採用優化設計,與傳統產品比較夾緊能力提高了。產品支撐點部位與缸體採用一體化結構,使體積更加紮實,提高了產品強度。產品採用了專用防塵設計,提高了防塵和密封性,實現了高密封性。產品法蘭下部採用縮小設計,適合夾具要求的緊湊化和輕量化。

最大操作壓力: 70 kgf/cm<sup>2</sup>  
 最小操作壓力: 10 kgf/cm<sup>2</sup>

### 注意事項

夾緊及放鬆作動速度需適當放緩。  
 可接受訂製, 歡迎與本公司洽詢。

### FEATURES

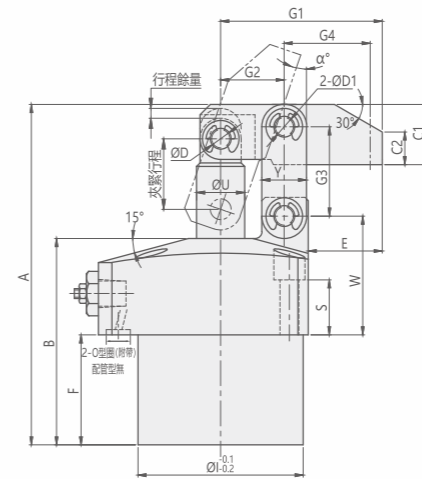
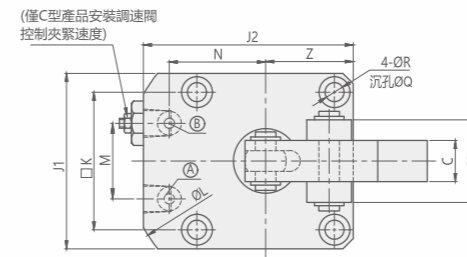
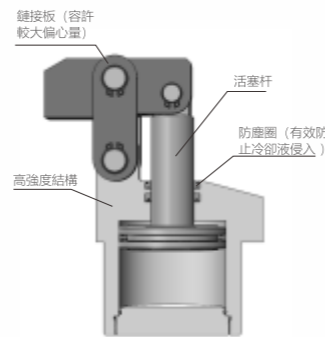
The accessories of the CLKA series are optimally designed and the clamping capacity has increased immensely compared to the traditional products. The cylinder and its supporting point use an integrated structure to create a more compact-sized product with enhanced strength. With its special dust-proof design, this product has improved its sealing performance and protects against any particles or debris while in use. The lower flange adopts a volume-compressed design, specifically to operate efficiently under the fixture's lightweight requirements.

Max. operating pressure: 70 kgf/cm<sup>2</sup>  
 Min. operating pressure: 10 kgf/cm<sup>2</sup>

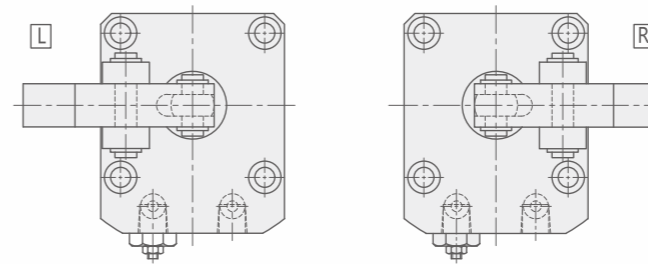
### NOTE

The action and the speed of clamping / unclamping needs to be slowed down appropriately.  
 Customization is available upon request, please contact us for more info.

### 剖面圖 Sectional view



壓臂安裝方向 Lever Direction



Ⓐ 夾持油孔 Clamping port  
 Ⓑ 放鬆油孔 Unclamping port

MODEL ITEM	CLKA -036	CLKA -040	CLKA -048	CLKA -055	CLKA -065	CLKA -075	CLKA -090	CLKA -105
A	78.5	87.5	99	110.5	127.5	151	180	209
J2	49	54	61	69	81	94.5	109.5	127
J1	40	45	51	60	70	85	100	120
I	36	40	48	55	65	75	90	105
B	48	54	60	65	73.5	84	101	115
F	23	29	32	37	43.5	47	61	65
C	10	12	12	16	19	22	25	32
Z	20	22.5	25.5	30	35	42.5	50	60
K	31.4	34	40	47	55	63	75	88
L	66	72	81	88	106	116	136	152
C1	12.5	14	16	20	25	32	38	45
C2	6	8	8	12	17	24	30	37
N	23.5	26	30	33.5	39.5	45	52.5	60
M	16	18	22	24	30	32	37	45
Q	7.5	9	9	11	11	14	17.5	20
R	4.5	5.5	5.5	6.8	6.8	9	11	14
S	15.5	15	16	13.5	16	17.5	17	23
W	30	30.5	34.5	35.5	39	48	52.5	64
G3	20	22	26	30	35.5	43.5	52.5	64
Y	11	13	13	16	19	25	28	32
C3	19	21	24	28	37	40	49	64
G2	14.5	16	18.5	21	24.5	30	36	44
D	5	6	6	6	8	10	12	15
D1	5	6	6	8	10	12	15	18
G1	37	40	47	55	61.5	72.5	82.5	100
α	19.6	20.2	18.9	19.3	20	21.4	22.4	23.1
E	17	17.5	21.5	25	26.5	30	32.5	40
G4	19	20.5	23.5	29	32	37.5	41.5	51
ΦU	Φ10	Φ12	Φ14	Φ16	Φ20	Φ22	Φ28	Φ35
配管式油口 PORT WITH LINE TYPE	2-PT1/8	2-PT1/8	2-PT1/8	2-PT1/8	2-PT1/4	2-PT1/4	2-PT3/8	2-PT3/8
油孔O型圈 (C/G型) O-RING HOLE (C/G TYPE)	P5	P5	P5	P5	P7	P7	P7	P7

### 訂購標示法 ORDERING INDICATION

#### 示例: CLKA - 036CML

CLKA	系列 Series	CLKA
036	主體尺寸 Body size	036: ΦI=36 040: ΦI=40 048: ΦI=48 055: ΦI=55 065: ΦI=65 075: ΦI=75 090: ΦI=90 105: ΦI=105
C	油口型式 Port type	空白: 配管式 G: 油路板式 C: 油路板式附調速 Blank: Line type G: Manifold type C: Manifold with flow type
M	檢測方式 Air detect way	無符號: 無 (標準) D: 探頭用雙桿型 M: 適用於空氣傳感版式連接型 N: 適用於空氣感測器配管型 No sign: No (standard) D: Double end rod option for probe M: Suitable for air sensor type connection N: Suitable for air sensor piping type
L	壓臂安裝方向 Lever direction	空白: 標準 L: 左 R: 右 Blank: Standard L: Left R: Right

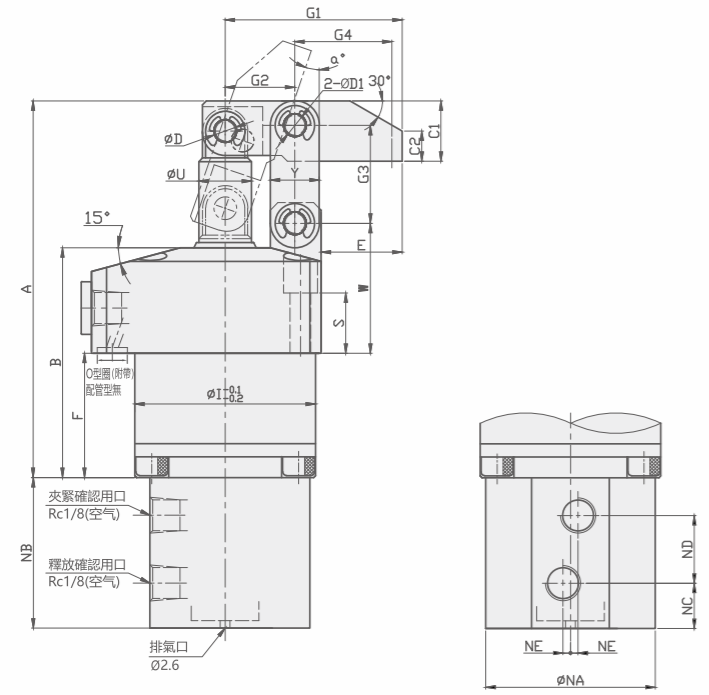
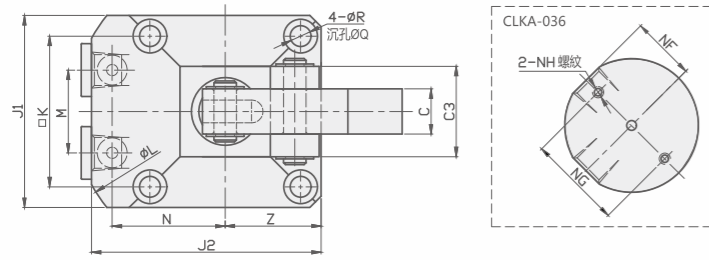
### 規格參數表 SPECIFICATIONS

型號	理論夾持力 (70 kgf/cm <sup>2</sup> )	夾緊行程	總行程	推出容積	拉入容積	推出受壓面積	拉入受壓面積	使用溫度範圍	使用液體
MODEL	CLAMPING FORCE AT 70 kgf/cm <sup>2</sup> (kgf)	CLAMPING STROKE (mm)	TOTAL STROKE (mm)	CYLINDER CAPACITY CLAMP (cm <sup>3</sup> )	CYLINDER CAPACITY UNCLAMP (cm <sup>3</sup> )	EFF.PISTON AREA CLAMP (cm <sup>2</sup> )	EFF.PISTON AREA UNCLAMP (cm <sup>2</sup> )	RANGE OF TEMPERATURE (°C)	USABLE FLUID
CLKA-036	203	16	18.5	7.03	5.57	3.80	3.01	-10~+70°C	相當於 ISO 黏度等級的 ISO-VG-32 一般液壓油 Recommended: ISO-VG-32 hydraulic oil equivalent to ISO viscosity grade
CLKA-040	268	17.5	20.5	10.07	7.75	4.91	3.78	-10~+70°C	
CLKA-048	443	20.5	23.5	18.89	15.28	8.04	6.5	-10~+70°C	
CLKA-055	636	23	26	32.66	27.43	12.56	10.55	-10~+70°C	
CLKA-065	1052	26.5	29.5	57.91	48.65	19.63	16.49	-10~+70°C	
CLKA-075	1745	32	35	109.06	95.76	31.16	27.36	-10~+70°C	
CLKA-090	2093	38	41	141.37	132.55	38.48	32.33	-10~+70°C	
CLKA-105	3034	46	49	246.18	199.04	50.24	40.62	-10~+70°C	

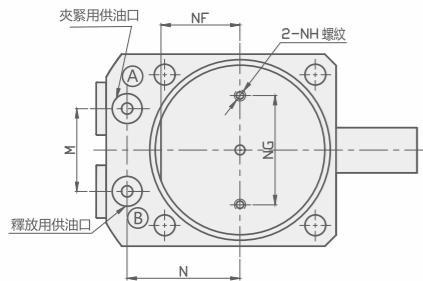


Unit:mm

注：本圖以CLKA-GN型夾持狀態



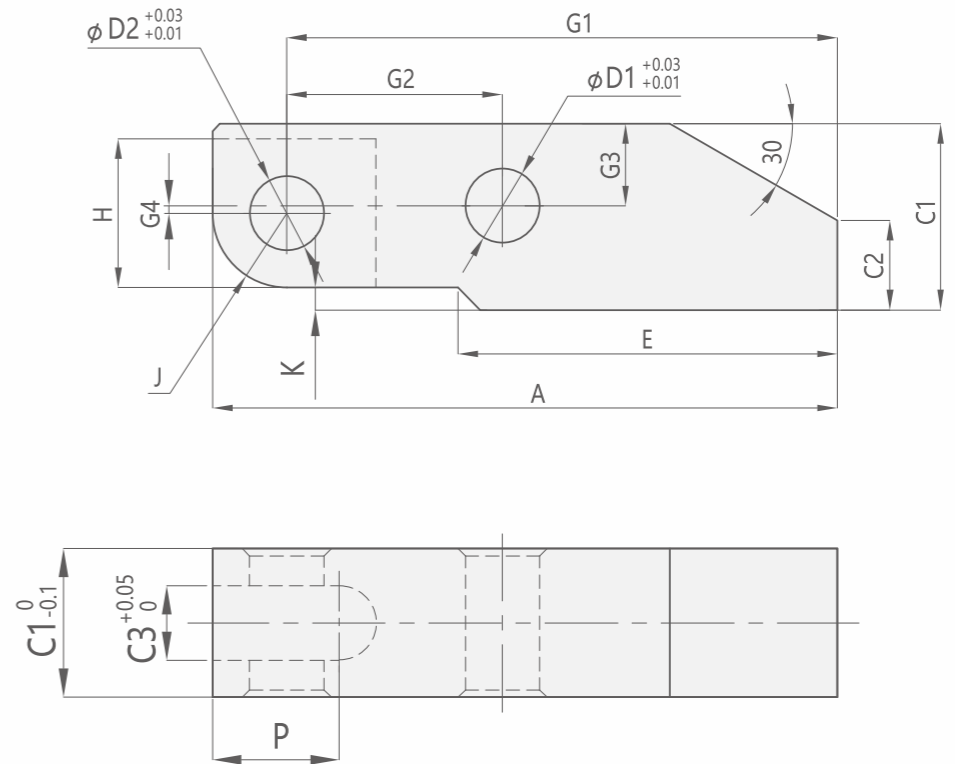
注：排氣口須向大氣排放，並防止冷卻液、切削粉塵等侵入。直接接觸冷卻液時，NH螺紋處應安裝配件，進行防止冷卻液浸入處置。但是，不得堵塞排氣口。



- Ⓐ 夾持油孔 Clamping port
- Ⓑ 放鬆油孔 Unclamping port

MODEL ITEM	CLKA-036N	CLKA-040N	CLKA-048N	CLKA-055N	CLKA-065N	CLKA-075N	CLKA-090N	CLKA-105N
A	78.5	88.5	100	114	134.5	153	186	223
J2	49	54	61	69	81	94.5	109.5	127
J1	40	45	51	60	70	85	100	120
I	36	40	48	55	65	75	90	105
B	48	55	61	68.5	80.5	86	107	129
F	23	30	33	40.5	50.5	49	67	79
C	10	12	12	16	19	22	25	32
Z	20	22.5	25.5	30	35	42.5	50	60
K	31.4	34	40	47	55	63	75	88
L	66	72	81	88	106	116	136	152
C1	12.5	14	16	20	25	32	38	45
C2	6	8	8	12	17	24	30	37
N	23.5	26	30	33.5	39.5	45	52.5	60
M	16	18	22	24	30	32	37	45
Q	7.5	9	9	11	11	14	17.5	20
R	4.5	5.5	5.5	6.8	6.8	9	11	14
S	15.5	15	16	13.5	16	17.5	17	23
W	30	30.5	34.5	35.5	39	48	52.5	64
G3	20	22	26	30	35.5	43.5	52.5	64
Y	11	13	13	16	19	25	28	32
C3	19	21	24	28	37	40	49	64
G2	14.5	16	18.5	21	24.5	30	36	44
D	5	6	6	6	8	10	12	15
D1	5	6	6	8	10	12	15	18
G1	37	40	47	55	61.5	72.5	82.5	100
α	19.6	20.2	18.9	19.3	20	21.4	22.4	23.1
E	17	17.5	21.5	25	26.5	30	32.5	40
G4	19	20.5	23.5	29	32	37.5	41.5	51
ΦU	Φ10	Φ12	Φ14	Φ16	Φ20	Φ22	Φ28	Φ35
配管式油口 PORT WITH LINE TYPE	2-PT1/8	2-PT1/8	2-PT1/8	2-PT1/8	2-PT1/4	2-PT1/4	2-PT3/8	2-PT3/8
油孔O型圈 (C/G型) O-RING HOLE (C/G TYPE)	P5	P5	P5	P5	P7	P7	P7	P7
ΦNA	35.5	39.5	45	45	45	53	53	53
NB	31	36	40	40	40	59.5	59.5	59.5
NC	9	8.5	12	12	12	20	20	20
ND	12.5	17.5	18	18	18	29.5	29.5	29.5
NE	-	1	2	2	2	3	3	3
NF	17	18.5	20	20	20	24	24	24
NG	25	29	29	29	29	38	38	38
NH(公稱×深度) (Nominal ×Depth)	M3×0.5×6	M3×0.5×6	M3×0.5×6	M3×0.5×6	M3×0.5×6	M4×0.7×7	M4×0.7×7	M4×0.7×7

CLKA 壓臂尺寸  
CLKA CLAMPING ARM DIMENSION



CLKA油壓桿桿缸壓臂尺寸 CLKA HYDRAULIC LEVERAGE-TYPE CLAMPING ARM DIMENSIONS

Unit:mm

MODEL	A	C	C1	C2	C3	D1	D2	E	G1	G2	G3	G4	H	J	K	P
CLKA-036	42	10	12.5	6	5	5	5	25.5	37	14.5	5.5	0.5	10	R5	1.5	8.5
CLKA-040	45	12	14	8	6	6	6	27.5	40	16	6	1.5	11	R5	1.5	12
CLKA-048	53	12	16	8	6	6	6	32	47	18.5	6.5	1.5	13	R5	1.5	13
CLKA-055	61.5	16	20	12	8	8	6	37	55	21	8	4	13.5	R6	2	12.5
CLKA-065	69.5	19	25	17	10	10	8	35	61.5	24.5	9.5	6	18.5	R8	1.5	16
CLKA-075	82	22	32	24	11	12	10	42.5	72.5	30	12.5	8	21.5	R9.5	2	20.5
CLKA-090	95	25	38	30	13	15	12	60.5	82.5	36	14	8.5	27.5	R12.5	2.5	26
CLKA-105	116	32	45	37	18	18	15	68	100	44	16	6	37	R15	4	32