

# CRA

## 油路旋轉接頭

## CRA HYDRAULIC ROTARY JOINT



### 新產品說明

根據國內機加客戶的不斷提升，對四軸夾具的要求也越來越多，我們對客戶的反饋信息進行了篩選，為客戶量身設計了這款CRA旋轉接頭，歡迎大家選購。如您在選型時有任何疑問，請隨時與我司技術人員聯繫。感謝您的支持！

### NEW PRODUCT INFORMATION

According to the continuous improvement of domestic machining customers, there are more and more requirements for four-axis fixtures. We have screened the feedback information of customers and customized the CRA rotary joint for customers. Welcome to buy. If you have any questions about the model selection, please feel free to contact our technician. Thank you for your support!

### 規格參數表 SPECIFICATIONS

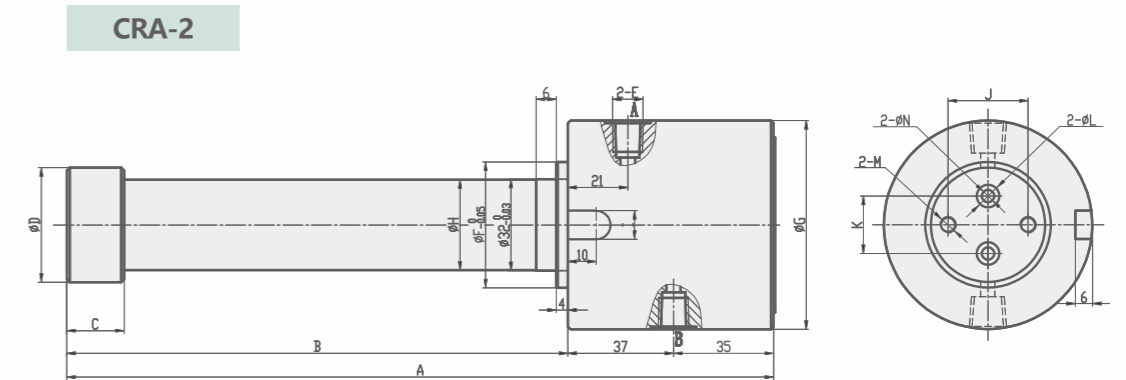
型號	CRA/CRB/CRC-2	CRA/CRB/CRC-4	CRA/CRB/CRC-6
迴路數	2迴路	4迴路	6迴路
使用流體	相當於ISO黏度等級ISO-VG-32一般液壓油		
最高使用壓力 (MPa)	25		
允許轉數	因流體壓力而異		
使用環境溫度 (°C)	0~70		
配管介面尺寸	PT1/8		
質量(kg)	255	3.18	3.80
	320	3.57	4.37
	400	3.76	4.76

### 訂購標示法 ORDERING INDICATION

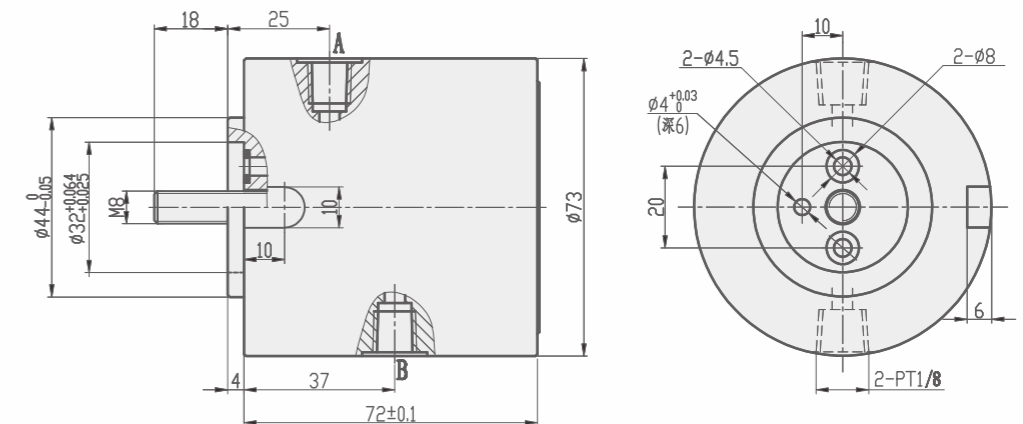
#### 示例: CRA-2-255

型式	迴路數	四軸型號
CRA:旋轉接頭	2	255/320/400
CRB:配油器	4	255/320/400
CRC:連接軸	6	320/400

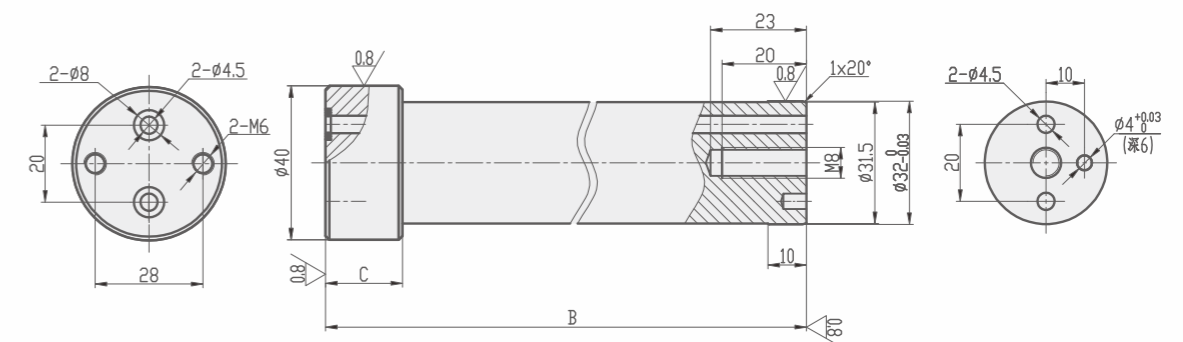
## CRA/CRB/CRC-2



### CRB-2



### CRC-2



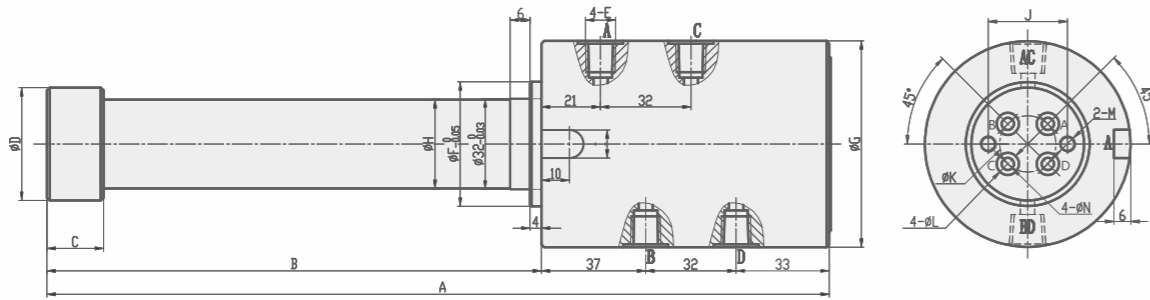
Unit:mm

型號 Model	A	B	C	D	E	F	G	H	I	J	K	L	M	N
CRA/CRB/CRC-2-255	247	175	20	40	PT1/8	44	73	31.5	10	28	20	8.0	M6	4.5
CRA/CRB/CRC-2-320	317	245	20	40	PT1/8	44	73	31.5	10	28	20	8.0	M6	4.5
CRA/CRB/CRC-2-400	362	290	20	40	PT1/8	44	73	31.5	10	28	20	8.0	M6	4.5

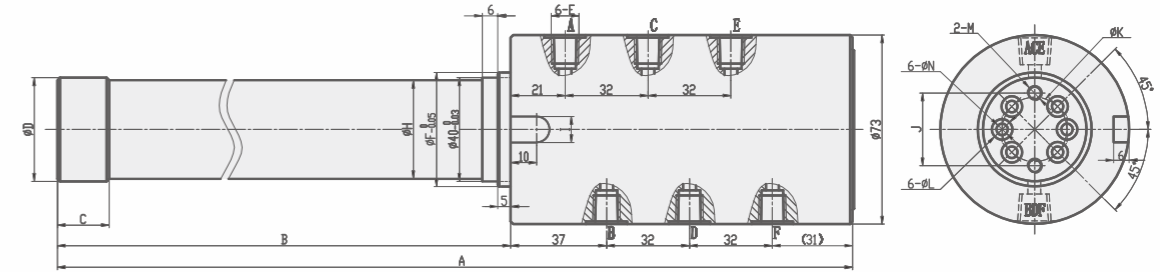
CRA/CRB/CRC-4

CRA/CRB/CRC-6

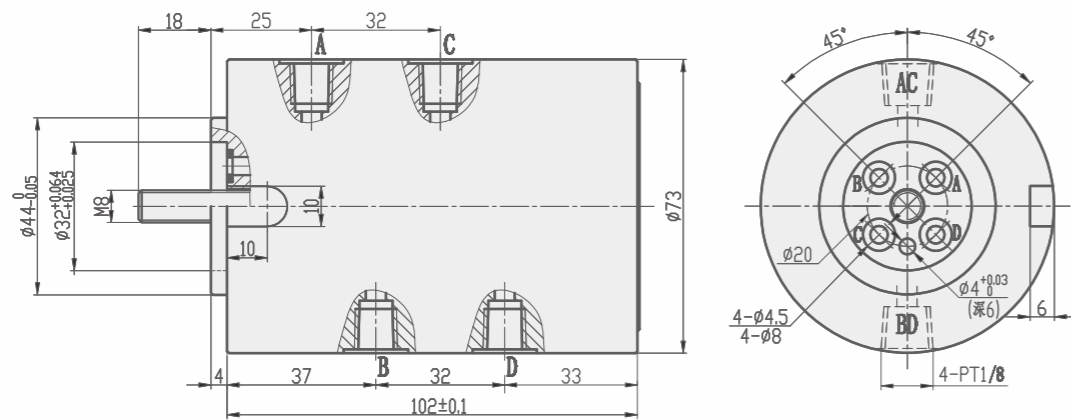
CRA-4



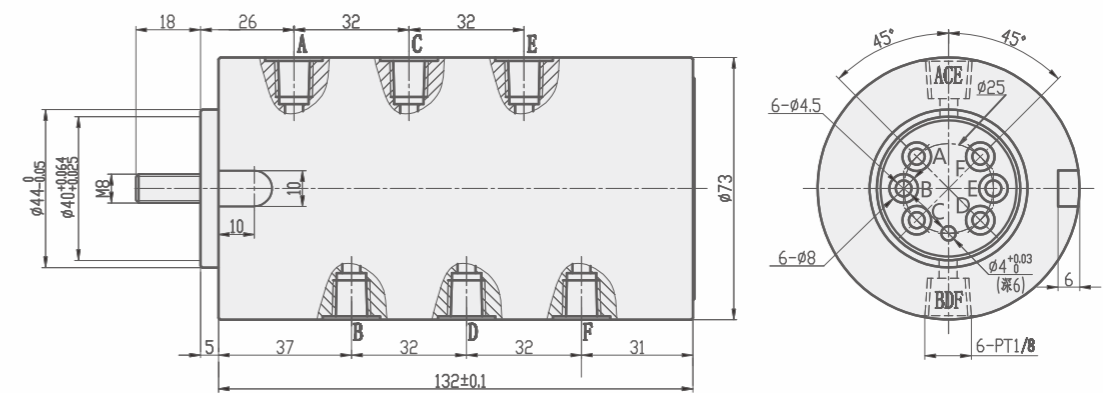
CRA-6



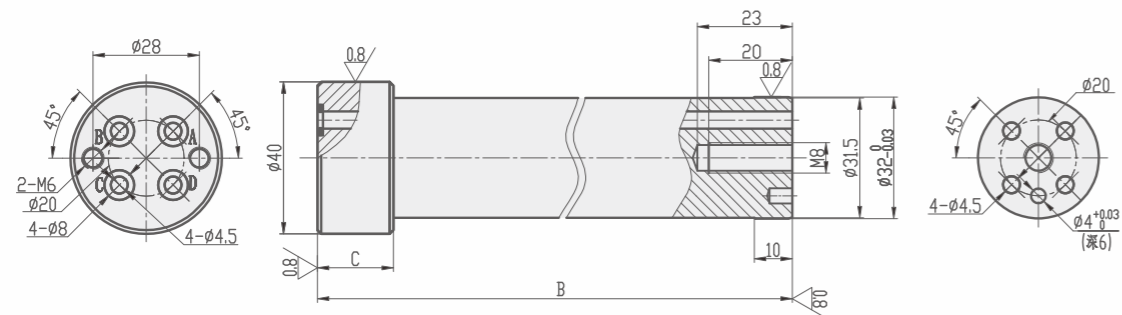
CRB-4



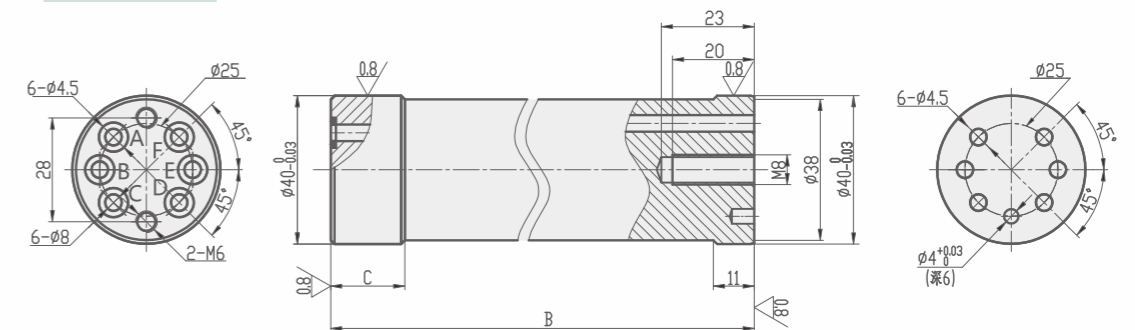
CRB-6



CRC-4



CRC-6



Unit:mm

型號 Model	A	B	C	D	E	F	G	H	I	J	K	L	M	N
CRA/CRB/CRC-4-255	277	175	20	40	PT1/8	44	73	31.5	10	28	20	8.0	M6	4.5
CRA/CRB/CRC-4-320	347	245	20	40	PT1/8	44	73	31.5	10	28	20	8.0	M6	4.5
CRA/CRB/CRC-4-400	392	290	20	40	PT1/8	44	73	31.5	10	28	20	8.0	M6	4.5

Unit:mm

型號 Model	A	B	C	D	E	F	G	H	I	J	K	L	M	N
CRA/CRB/CRC-6-320	377	245	20	40	PT1/8	44	73	38	10	28	25	8.0	M6	4.5
CRA/CRB/CRC-6-400	422	290	20	40	PT1/8	44	73	38	10	28	25	8.0	M6	4.5