

CSV

油壓順序閥

CSV HYDRAULIC SEQUENCE VALVE



產品特性

此型式油壓順序閥，適用於夾具迴路，由壓力決定油壓缸之順序動作，體積小，耐高壓，安裝於迴路中，不需其他控制，即可得到順序動作確實之效果。

本產品提供A：油路板型 B：配管型兩種型式，可依夾具整體設計安裝方式需要作適當選擇。

最大操作壓力：250 kgf/cm²
 最小操作壓力：25 kgf/cm²

FEATURES

This series of hydraulic sequence valve is especially ideal for your fitting on the circuit of the fixture. The hydraulic cylinder motion sequences are decided by the pressure. The sequence valve features type and Pressure Range compact construction and high pressure resistance. It requires no further control when fitting on the circle, and provides a positive sequential motion control.

This series provides two types of mounting type for choice. A type is a manifold mounting type and B type are a line mounting type. You get a flexible choice of mounting types to suit your fixture design.

Max. operating pressure: 250 kgf/cm²
 Min. operating pressure: 25 kgf/cm²

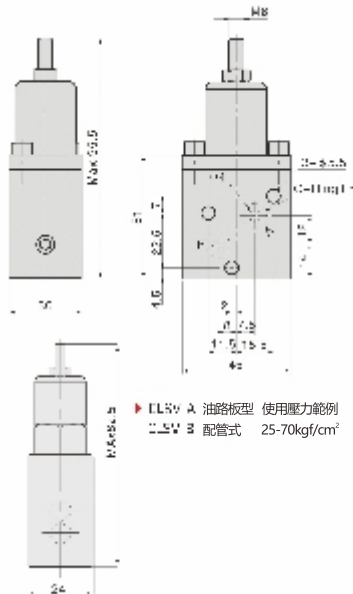
注意事項

多個順序閥並聯於迴路中使用時，相互間設定壓力差不得小於10 kgf/cm²。工作壓力和設定壓力差值必須要10kgf/cm²以上。請根據使用壓力，選用合適作動彈簧。

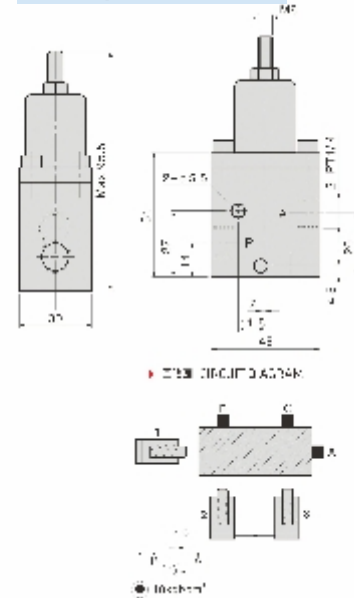
NOTE

You should set the pressure difference not be less than 10 kgf/cm² when multiple sequence valves used in parallel circuit. Setting the pressure difference and working pressure must be exceeded 10 kgf/cm². Please choose the appropriate actuation spring according to the working pressure.

CSV-A/CLSV-A 油路板式



CSV-B/CLSV-B 配管式



訂購標示法 ORDERING INDICATION

示例：CSV-A CLSV-A CSV-B CLSV-B

CSV-A CLSV-A	油路板型 Manifold type	25-250 kgf/cm ² 25-70 kgf/cm ²
CSV-B CLSV-B	配管式 Line type	25-250 kgf/cm ² 25-70 kgf/cm ²