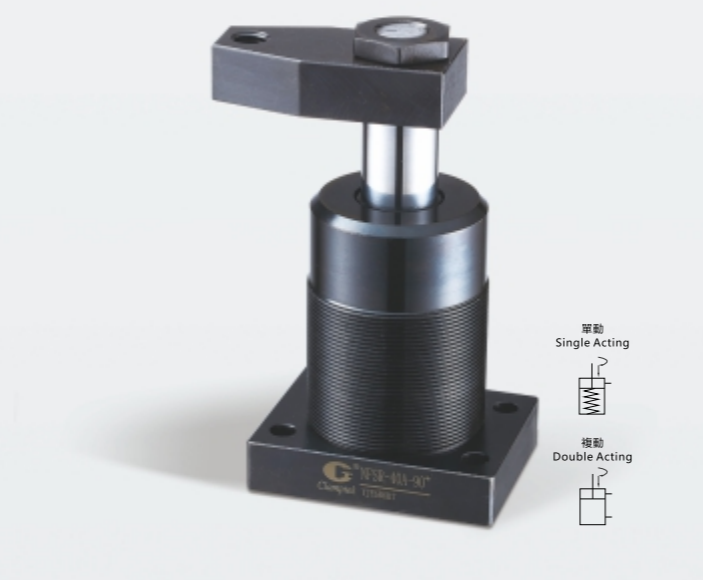


NFS

高壓轉角缸

NFS HIGH PRESSURE HYDRAULIC SWING CLAMP



產品特性

向左或向右旋轉後垂直下壓達到夾持目的。標準角度90度,可訂做角度30度、45度、60度。缸體為高級碳鋼材質,表面硬化處理。入油口請加裝流量控制閥,控制轉角速度,避免慣性撞擊。

下壓夾持時,應於垂直行程內夾緊工件。每次上下工作時,務必以氣槍清潔活塞桿處油封上的鐵屑異物,避免下次使用異物嵌入工件。

FEATURES

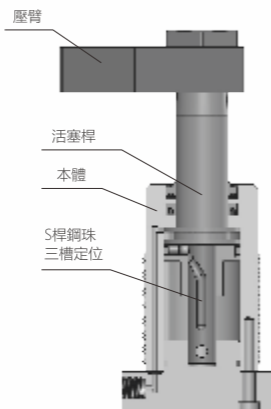
A hydraulic swing clamp is a clamping device that converts hydraulic pressure into a clamping force to secure the pieces. When the NFS hydraulic swing clamp is in action, it clamps down vertically after rotating to the left or right.

The cylinder's body is manufactured with high-grade carbon steel and processed with hardened surface treatment.

The standard angle is 90 degrees, options to customize the angle at 30 degrees, 45 degrees, or 60 degrees are available. Installation of a flow control valve at the oil inlet is highly recommended to control the swinging speed and avoid inertial impact. When the hydraulic cylinder is clamping and pressing downward, the workpiece should be clamped within the lock stroke range.

During the workpiece's loading & unloading period, please be sure to clean the oil seal from the piston rod with an air gun to avoid embedding any particles and chips.

剖面圖 Sectional view(複動式)



最大操作壓力: 210 kgf/cm²

最小操作壓力: 70 kgf/cm²

作動方式: 單動和複動式

Max. operating pressure: 210 kgf/cm²

Min. operating pressure: 70 kgf/cm²

Single acting and double acting

注意事項

夾緊及放鬆作動速度需適當放緩。

特殊壓臂其長度和重量不得超過標準壓臂的1.5倍。

壓臂旋轉示意圖及安裝拆卸方式,請參見第4頁。可接受訂製,歡迎與本公司洽詢。

NOTE

The action and the speed of clamping / unclamping needs to be slowed down appropriately.

The length and weight of the customized clamping arm shall not exceed 1.5 times of the standard clamping arm.

Please refer to page 4 for the rotation diagram, installation instructions and removal methods of the clamping arm.

Customization is available upon request, please contact us for more info.

訂購標示法 ORDERING INDICATION

示例: NFSL-25A-90F

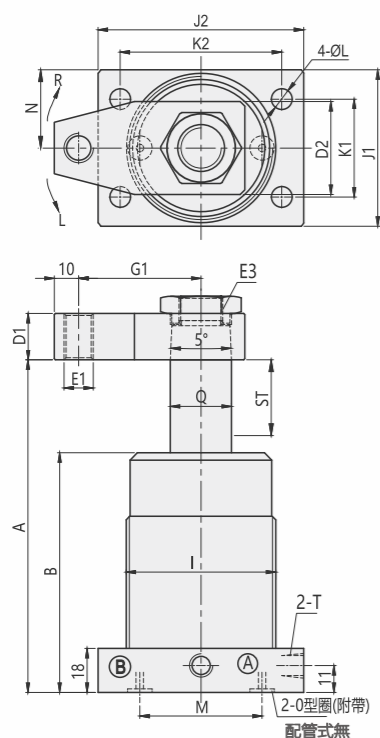
NFS	系列 Series	NFS/NDS/NFT/NDT
L	轉角方向 Swing direction	右轉R或左轉L Turn right R or turn left L
25	油缸內徑 Hydraulic cylinder inside diameter	Φ25, Φ32, Φ40
A	作動方式 Acting type	<div style="display: flex; justify-content: space-around;"> <div style="text-align: center;"> <p>A:單動式Single acting</p> <p>LINE TYPE 配管式 F:MANIFOLD TYPE F:油路板型 TB:THREADED BODY TB:外螺牙配管型</p> </div> <div style="text-align: center;"> <p>B:複動式Double acting</p> <p>LINE TYPE 配管式 F:MANIFOLD TYPE F:油路板型 TB:THREADED BODY TB:外螺牙配管型</p> </div> </div>
90	轉角角度 Swing angle	標準角度 Standard angle 90°(±2°) 訂做角度 Order angle 30°±2°,45°±2°,60°±2°
F	安裝型式 Mounting type	空白: 配管型 Line type F: 油路板型 Manifold type (外螺牙無油路板型)

規格參數表 SPECIFICATIONS

型號	理論夾持力 (210 kgf/cm ²)	轉角行程	夾緊行程	總行程	拉入容積	推出容積	拉入受壓面積	推出受壓面積	使用溫度範圍
MODEL	CLAMPING FORCE AT 210kgf/cm ² (kgf)	SWING STROKE (mm)	CLAMPING STROKE (mm)	TOTAL STROKE(mm)	CYLINDER CAPACITY CLAMP(cm ³)	CYLINDER CAPACITY UNCLAMP(cm ³)	EFF.PISTON AREA CLAMP(cm ²)	EFF.PISTON AREA UNCLAMP(cm ²)	RANGE OF TEMPERATURE(°C)
NFS-25A NDS-25A NFT-25A NDT-25A	420	12	11	23	5.45	-	2.37	-	-10~+70°C
NFS-32A NDS-32A NFT-32A NDT-32A	760	12	11	23	9.75	-	4.24	-	-10~+70°C
NFS-40A NDS-40A NFT-40A NDT-40A	1450	12	11	23	17.60	-	7.65	-	-10~+70°C
NFS-25B NDS-25B NFT-25B NDT-25B	495	15	18	33	7.82	16.20	2.37	4.91	-10~+70°C
NFS-32B NDS-32B NFT-32B NDT-32B	890	15	18	33	13.99	26.53	4.24	8.04	-10~+70°C
NFS-40B NDS-40B NFT-40B NDT-40B	1600	15	18	33	25.25	41.25	7.65	12.5	-10~+70°C

NFS

Single side swing clamp

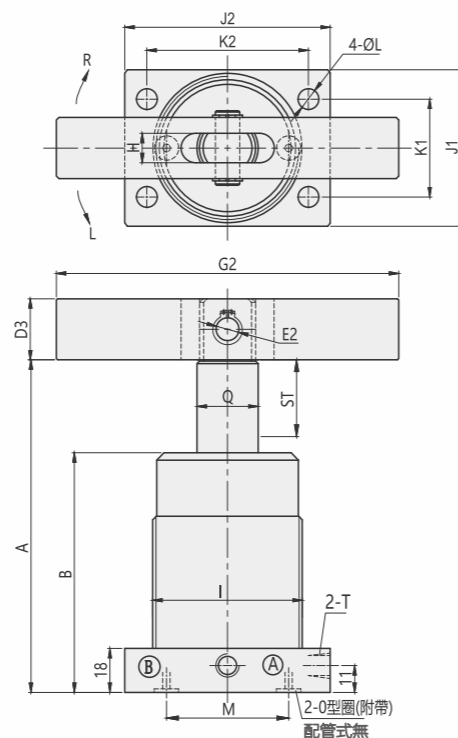


Ⓐ 夾持油孔 Clamping port

NDS

Double side swing clamp

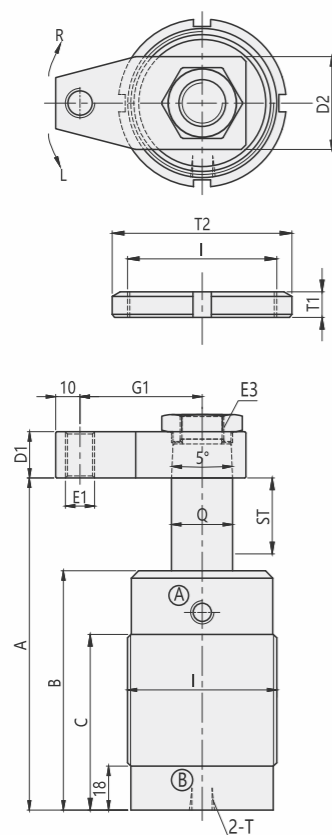
註：下圖為轉角90°鬆開狀態



Ⓑ 放鬆油孔 Unclamping port (單動型為排氣孔)

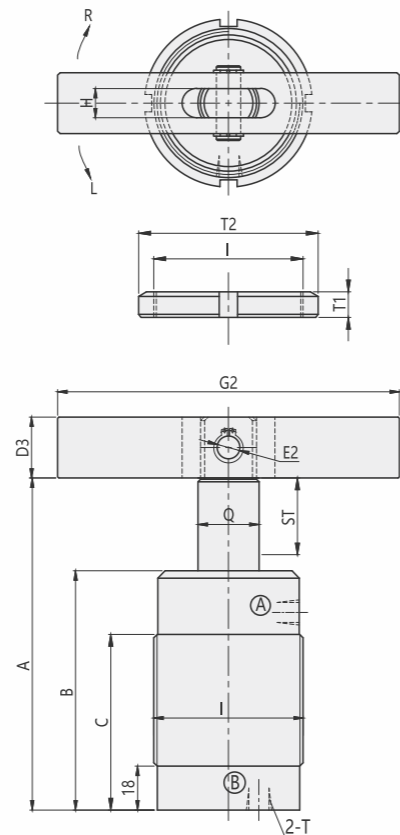
NFT

Single side swing clamp

**NDT**

Double side swing clamp

註：下圖為轉角90°鬆開狀態



四方底座型 Flange type	NFS-25A NDS-25A	NFS-32A NDS-32A	NFS-40A NDS-40A	NFS-25B NDS-25B	NFS-32B NDS-32B	NFS-40B NDS-40B
外螺外牙型 Threaded type	NFT-25A NDT-25A	NFT-32A NDT-32A	NFT-40A NDT-40A	NFT-25B NDT-25B	NFT-32B NDT-32B	NFT-40B NDT-40B
ST:Swing/ Clamping	23:12/11	23:12/11	23:12/11	33:15/18	33:15/18	33:15/18
A鬆開狀態 Unclamping	131	127	127	136	136	136
B	102	97	98	102	97	98
C	66	70	72	66	70	72
D1	19	19	19	19	19	19
D2	38	38	38	38	38	38
D3	□19	□22	□25	□19	□22	□25
E1	M12	M12	M12	M12	M12	M12
E2	Φ8	Φ8	Φ10	Φ8	Φ8	Φ10
E3	M14x1	M18x1.5	M18x1.5	M14x1	M18x1.5	M18x1.5
G1	45	50	50	45	50	50
G2	100	120	140	100	120	140
H	9	10	12	9	10	12
I	M45x1.5	M50x1.5	M60x1.5	M45x1.5	M50x1.5	M60x1.5
J1	46	54	64	46	54	64
J2	64	68	84	64	68	84
K1	30	34	40	30	34	40
K2	50	54	66	50	54	66
L	Φ6.5	Φ8.5	Φ8.5	Φ6.5	Φ8.5	Φ8.5
M	35	40	50	35	40	50
N	23	27	32	23	27	32
T	PT1/8	PT1/8	PT1/8	PT1/8	PT1/8	PT1/8
T1(2pcs)	10	11	11	10	11	11
T2	Φ65	Φ70	Φ80	Φ65	Φ70	Φ80
Q	Φ18	Φ22	Φ25	Φ18	Φ22	Φ25
O型圈(僅F型) O-Ring(F type)	P7	P7	P7	P7	P7	P7